

Outline diagram

F1245 with wood fired boiler (floating condensing).

Application

Houses with water-borne heating systems.

Function

F1245 (EB100) prioritises hot water charging. When the wood fired boiler (EM1) is in use, the heat pump and immersion heater are disconnected when the temperature rises on the temperature sensor (EM1-BT52) and start again when the temperature reduces. Self-circulation through the heat pump is prevented by the check valve (RM1).

The flow line sensor (EM1-BT52) is situated in the plunger pipe on the accumulator tank (CP2).

Settings

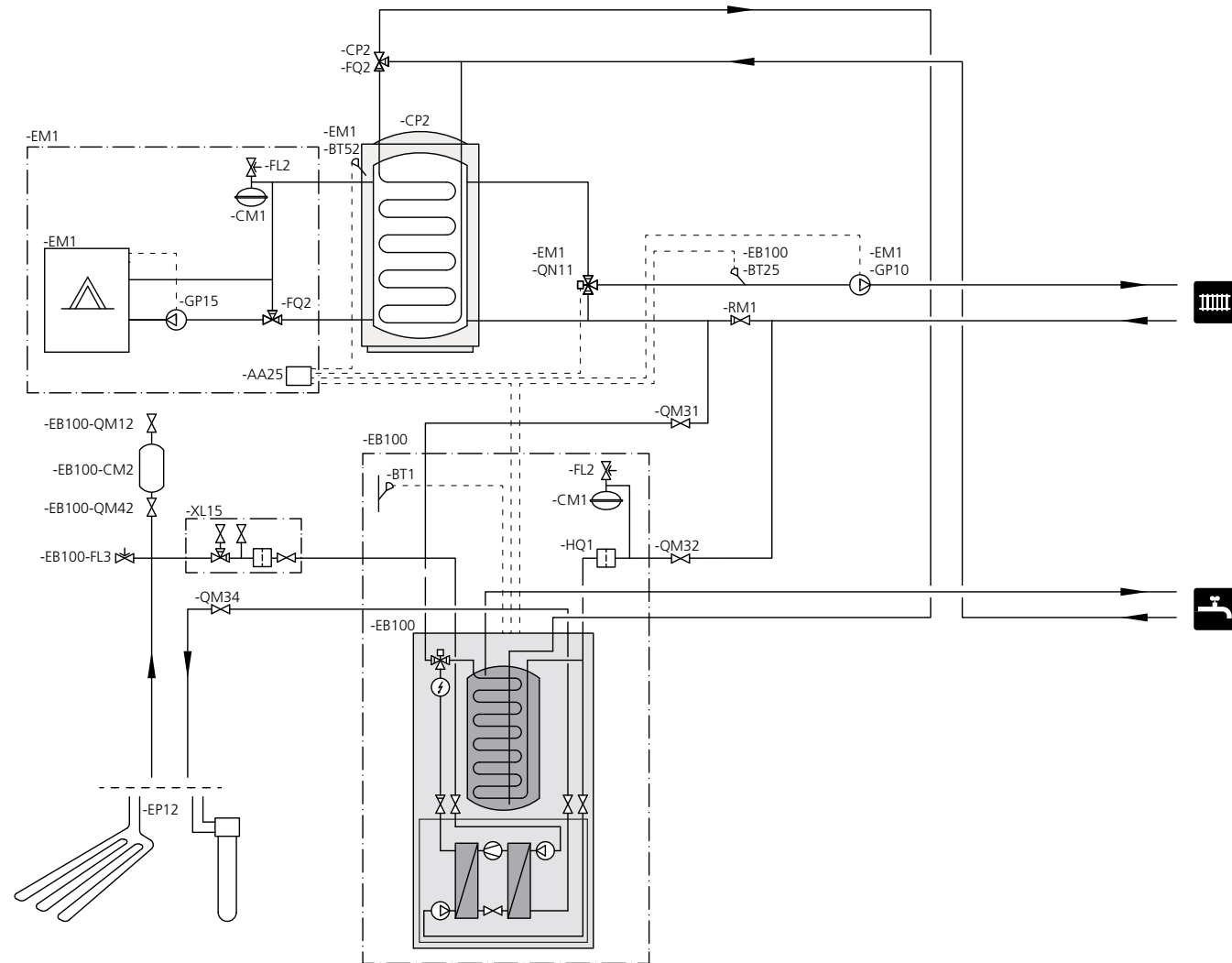
Menu 4.9.3 - "degree minutes setting": Change "start compressor" to -90 GM.

Menu 5.1.10 - "operating mode heating medium pump": Select "intermittent" Menu 5.2 - "system settings": Select "mixing valve controlled additional heat".

Menu 5.3.2 - "mixing valve controlled additional heat": Change "start additional heat" to -30 DM

Remember! This setting gives priority to operation with the wood fired boiler over heat pump operation.

NOTE! This is an outline diagram. Actual installation must be planned according to applicable standards. See the appropriate "Installer manual" and/or "Installation and Maintenance Instructions" for more information.



Designations according to standard IEC 81346-1 and 81346-2.

List of Components

F1245 with wood fired boiler (floating condensing).

Pos	Name	Specification	Manufacturer	Art no.	Remarks
CP2	Accumulator tank system				
CP2	Accumulator tank				Storage heater/coil tank
FQ2	Thermal mixing valve				
EB100	Heat pump system				
BT1	Outdoor sensor		NIBE		Included in F1245
BT25	External flow temperature sensor		NIBE		Included in AXC 40
CM1	Expansion vessel, heating medium				
CM2	Level vessel, brine		NIBE		Included in F1245.
EB100	Heat pump	F1245	NIBE		The software must be version 3105 or later.
FL2	Safety valve, heating medium				
FL3	Safety valve, brine		NIBE		Included in F1245
GP10	External heating medium pump				
HQ1	Particle filter		NIBE		Included in F1245
QM12	Filler valve, brine				
QM42	Shut-off valve				
EM1	Wood fired boiler system				
AA25	Unit box	AXC 40	NIBE	067 060	
BT52	Boiler sensor				
CM1	Expansion vessel, heating medium				
EM1	Wood-fired boiler				
FL2	Safety valve, heating medium				
FQ2	Thermal mixing valve				
GP15	Charge pump, external heat source				
QN11	Mixing valve, addition				230 V
Other information					
EP12	Collector, brine				
QM31	Shut-off valve, heating medium flow line				
QM32	Shut-off valve, heating medium return line				
QM34	Shut off valve, brine return line				
RM1	Non-return valve				
XL15	Filling kit, brine	HTF R25/G32	NIBE	089 368/089 971	KB R25 (max 12 kW), KBR G32 (max 30 kW)