

Split Outdoor unit with Hydrobox and hot water tank

Heating:
 QM30 Closed
 QM31 Open
 QN11 Active below balance point (A)

Hot water mode:
 QM30 Open
 QM31 Closed
 QN11 Open (AB)

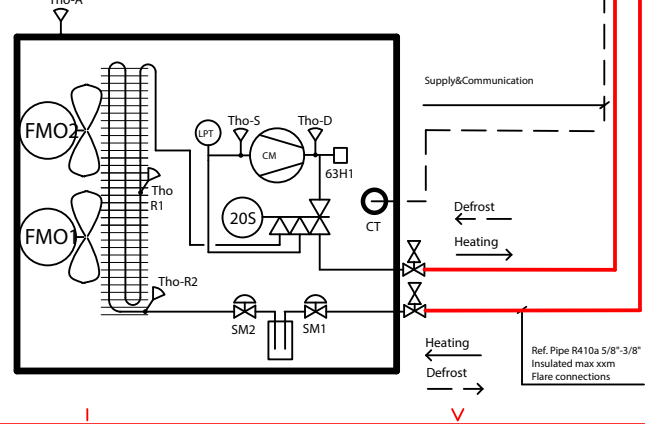
Tho-A Therm. Outdoor air temp
 Tho-D Therm. Discharge temp
 Tho-R1 Therm. Heat exchanger temp
 Tho-R2 Therm. Heat exchanger temp
 Tho-S Therm. Suction temp

LPT Low pressure sensor
 63H1 High pressure switch
 CT Current sensor
 SM1 Expansion valve for cooling
 SM2 Expansion valve for heating
 FMO1 Fan motor
 20S Solenoid valve for 4 way valve
 CM Compressor motor

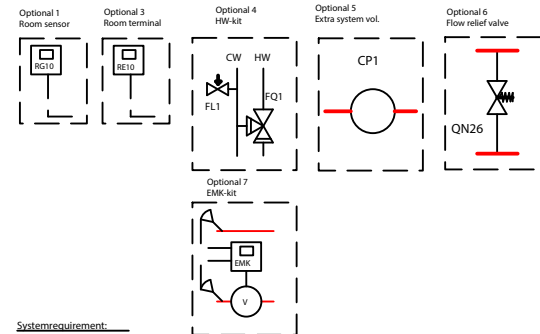
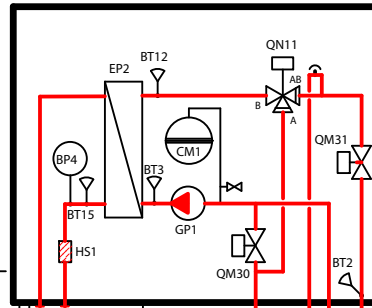
Alt.1 Power supply 3x400V-
 Fuse 25 A

Alt.2 Power supply 1x230V-
 Fuse 50A

Outdoor unit

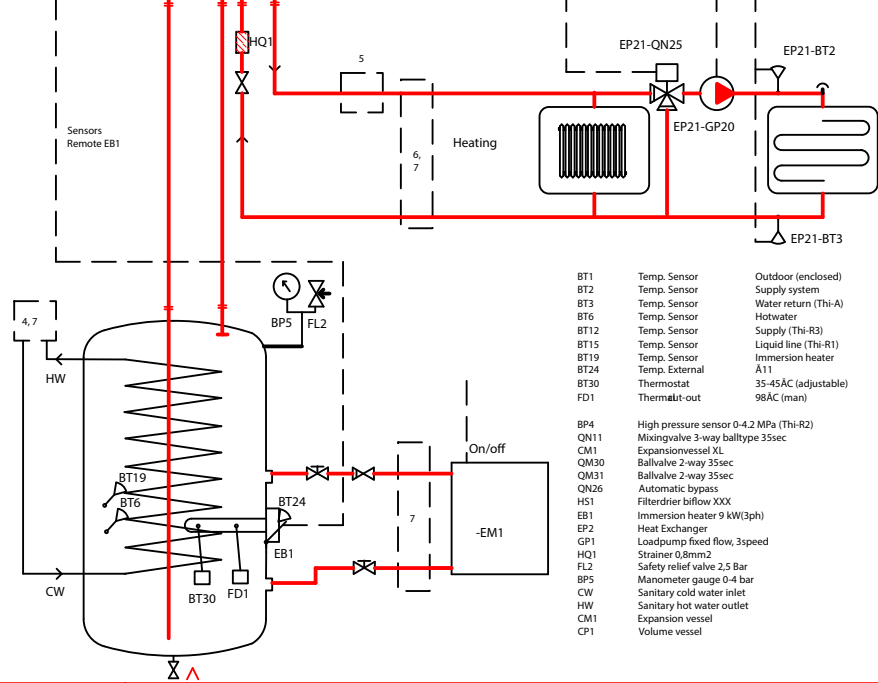


Hydrobox with hot water tank



System requirement:
 Minimum system volume
 Non restricted flow
 See technical data for more info

EP21/(ESV28) Extra Shunt: <Optional>



- | | | |
|------|---|----------------------|
| BT1 | Temp. Sensor | Outdoor (enclosed) |
| BT2 | Temp. Sensor | Supply system |
| BT3 | Temp. Sensor | Water return (Thi-A) |
| BT6 | Temp. Sensor | Hotwater |
| BT12 | Temp. Sensor | Supply (Thi-R3) |
| BT15 | Temp. Sensor | Liquid line (Thi-R1) |
| BT19 | Temp. Sensor | Immersion heater |
| BT24 | Temp. External | Å11 |
| BT30 | Thermostat | 35-45ÅC (adjustable) |
| FD1 | Thermostat | 98ÅC (man) |
| BP4 | High pressure sensor 0-4.2 MPa (Thi-R2) | |
| QN11 | Mixingvalve 3-way balltype 35sec | |
| CM1 | Expansionvessel XL | |
| QM30 | Ballvalve 2-way 35sec | |
| QM31 | Ballvalve 2-way 35sec | |
| QN26 | Automatic bypass | |
| HS1 | Filterdrier ballflow XXX | |
| EB1 | Immersion heater 9 kW(3ph) | |
| EP2 | Heat Exchanger | |
| GP1 | Loadpump fixed flow, 3speed | |
| HQ1 | Strainer 0.8mm2 | |
| FL2 | Safety relief valve 2.5 Bar | |
| BP5 | Manometer gauge 0-4 bar | |
| CW | Sanitary cold water inlet | |
| HW | Sanitary hot water outlet | |
| CM1 | Expansion vessel | |
| CP1 | Volume vessel | |