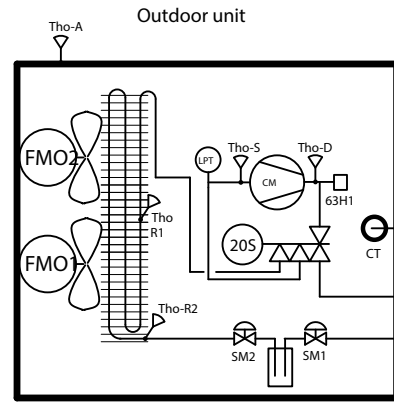


Split Outdoor unit with Hydrobox and hot water tank

- Heating:**
 QM30 Closed
 QM31 Open
 QN11 Active below balance point (A)
- Hot water mode:**
 QM30 Open
 QM31 Closed
 QN11 Open (AB)

- Tho-A Therm. Outdoor air temp
 Tho-D Therm. Discharge temp
 Tho-R1 Therm. Heat exchanger temp
 Tho-R2 Therm. Heat exchanger temp
 Tho-S Therm. Suction temp
- LPT Low pressure sensor
 63H1 High pressure switch
 CT Current sensor
 SM1 Expansion valve for cooling
 SM2 Expansion valve for heating
 FMO1 Fan motor
 20S Solenoid valve for 4 way valve
 CM Compressor motor

- Alt.1 Power supply 3x400V-
 Fuse 25 A
- Alt.2 Power supply 1x230V-
 Fuse 50A



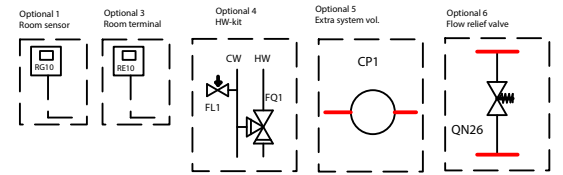
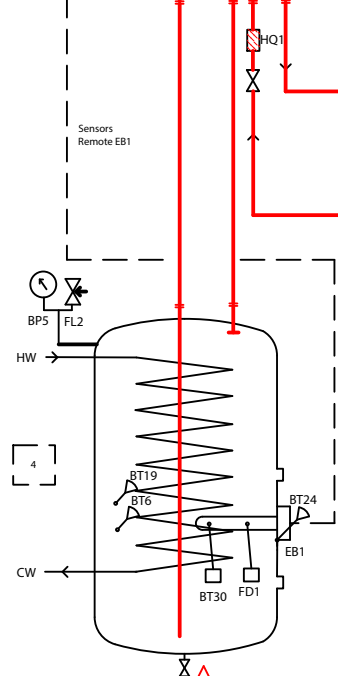
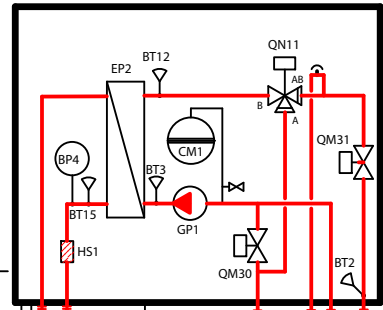
Supply & Communication

Defrost ←
 Heating →

Heating ←
 Defrost →

Ref. Pipe R410a 5/8" - 3/8"
 Insulated max xxm
 Flare connections

Hydrobox with hot water tank



System requirement:
 Minimum system volume
 Non restricted flow
 See technical data for more info

EP21/(ESV28) Extra Shunt: <Optional>

- BT1 Temp. Sensor Outdoor (enclosed)
 BT2 Temp. Sensor Supply system
 BT3 Temp. Sensor Water return (Thi-A)
 BT6 Temp. Sensor Hotwater
 BT12 Temp. Sensor Supply (Thi-R3)
 BT15 Temp. Sensor Liquid line (Thi-R1)
 BT19 Temp. Sensor Immersion heater
 BT24 Temp. External A11
 BT30 Thermostat 35-45AC (adjustable)
 FD1 Thermal cut-out 98AC (man)

- BP4 High pressure sensor 0-4.2 MPa (Thi-R2)
 QN11 Mixingvalve 3-way balltype 35sec
 CM1 Expansionvessel XL
 QM30 Ballvalve 2-way 35sec
 QM31 Ballvalve 2-way 35sec
 QN26 Automatic bypass
 HS1 Filterdrier biflow XXX
 EB1 Immersion heater 9 kW(3ph)
 EP2 Heat Exchanger
 GP1 Loadpump fixed flow, 3speed
 HQ1 Strainer 0,8mm2
 FL2 Safety relief valve 2,5 Bar
 BP5 Manometer gauge 0-4 bar
 CW Sanitary cold water inlet
 HW Sanitary hot water outlet
 CM1 Expansion vessel
 CP1 Volume vessel