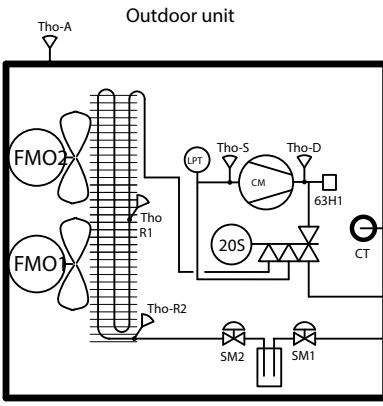


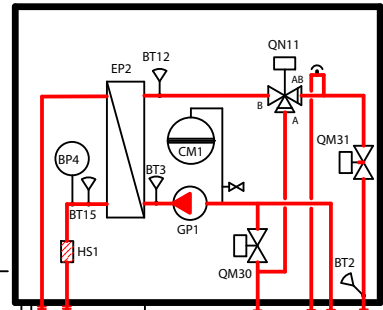
Split Outdoor unit with Hydrobox and heating tank

Heating:
 QM30 Closed
 QM31 Open
 QN11 Active below balance point (A)

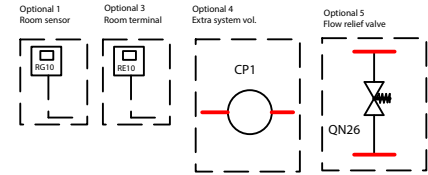
Tho-A Therm. Outdoor air temp
 Tho-D Therm. Discharge temp
 Tho-R1 Therm. Heat exchanger temp
 Tho-R2 Therm. Heat exchanger temp
 Tho-S Therm. Suction temp
 LPT Low pressure sensor
 63H1 High pressure switch
 CT Current sensor
 SM1 Expansion valve for cooling
 SM2 Expansion valve for heating
 FMO1 Fan motor
 20S Solenoid valve for 4 way valve
 CM Compressor motor



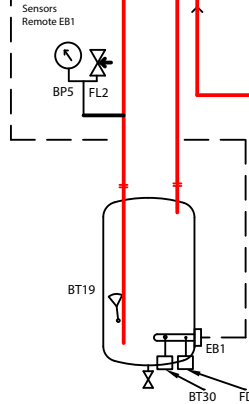
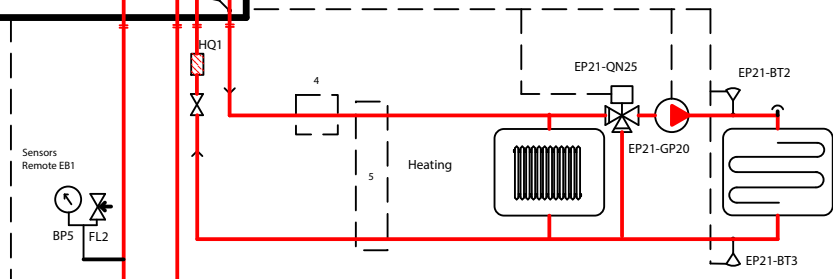
Hydrobox with heating tank



System requirement:
 Minimum system volume
 Non restricted flow
 See technical documentation for info



EP21/(ESV28) Extra Shunt: <Optional>



Air.1 Powersupply 3x400V~
 Fuse 25A
 Air.2 Powersupply 3x230V~
 Fuse 50A

Supply & Communication
 Defrost
 Heating
 Heating
 Defrost
 Ref. Pipe R410a 5/8"-3/8"
 Insulated max xxm
 Flare connections

- | | | |
|------|---|----------------------|
| BT1 | Temp. Sensor | Outdoor (enclosed) |
| BT2 | Temp. Sensor | Supply system |
| BT3 | Temp. Sensor | Water return (Thi-A) |
| BT12 | Temp. Sensor | Supply (Thi-R3) |
| BT15 | Temp. Sensor | Liquid line (Thi-R1) |
| BT19 | Temp. Sensor | Immersion heater |
| BT30 | Thermostat | 35-45AC (adjustable) |
| FD1 | Thermal cut-out | 98AC (man) |
| BP4 | High pressure sensor 0-4.2 MPa (Thi-R2) | |
| QN11 | Mixingvalve 3-way balltype 35sec | |
| CM1 | Expansionvessel XL | |
| QM30 | Ballvalve 2-way 35sec | |
| QM31 | Ballvalve 2-way 35sec | |
| QN26 | Automatic bypass valve | |
| HS1 | Filtersdrier ballflow XXX | |
| EB1 | Immersion heater 9 kW(3ph) | |
| EP2 | Heat Exchanger | |
| GP1 | Loadpump fixed flow, 3speed | |
| HQ1 | Strainer 0.8mm2 | |
| FL2 | Safety relief valve 2.5 Bar | |
| BPS | Manometer gauge 0-4 bar | |
| CM1 | Expansion vessel | |
| CP1 | Volume vessel | |